

# Wall Shelf - Assembly Instructions

Models: CK8212, CK8220, CK8226



To avoid risk of accidents or damage to the appliance, it is essential to read these instructions before it is installed and used for the first time.



## Caterkwik Ltd

The Lakeland Catering Centre  
Newlands  
Ulverston  
Cumbria  
LA12 7QQ

01229 480001

[info@caterkwik.co.uk](mailto:info@caterkwik.co.uk)





# Wall Shelves - Assembly Instructions

## Introduction

**Thank you for purchasing your Cater-Cook catering equipment. Exclusive to Cater-Kwik Ltd these products have been carefully sourced and engineered to provide genuine commercial quality, outstanding value for money and are sold with unparalleled after sales support.**

From high grade fabrication, including sinks, tabling and shelving to commercial fryers, chargrills, convection ovens, griddles and much, much more. We are confident that you will be delighted with your Cater-Cook product. Visit [www.caterkwik.co.uk](http://www.caterkwik.co.uk) for more.

Please read the following manual carefully. Properly maintained, your equipment will provide you with many years of trouble free service.

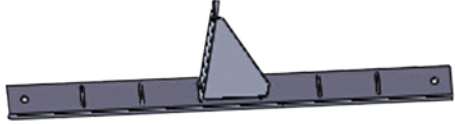
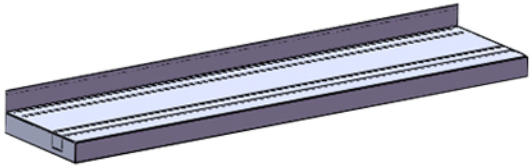


We are always looking to improve. Should you have any feedback regarding your purchase please contact our Customer Service Centre on **01229 480001**, email [info@caterkwik.co.uk](mailto:info@caterkwik.co.uk) or write to:


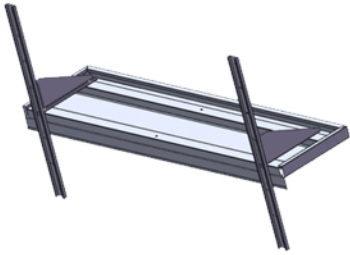
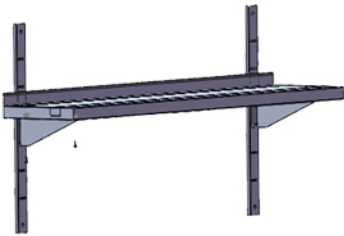
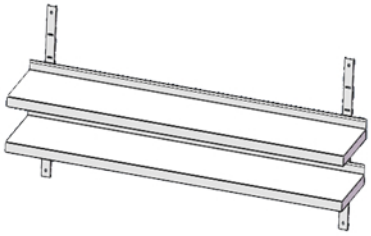
*Cater-Cook Brand Manager  
Cater-Kwik Ltd  
Newland, Ulverston  
Cumbria  
United Kingdom  
LA12 7QQ*



## Wall Shelf - Assembly Instructions

Model: CK8212

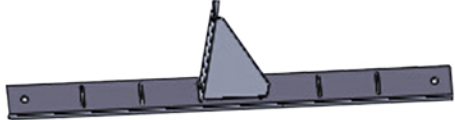
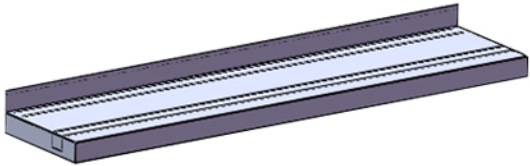


Parts List	Quantity	
Shelf with support board	2	
Wall shelf	2	
M5 Screws	4	
M8 Screws	4	


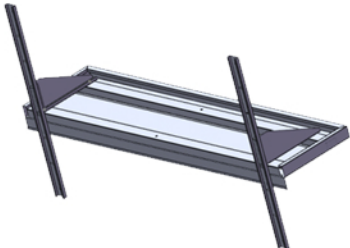
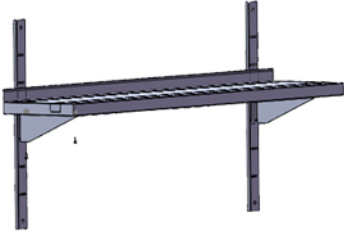
<p><b>Step 1</b></p>  <p>Position the support boards lying down, the correct distance apart.</p>	<p><b>Step 2</b></p>  <p>Attach the wall shelf using to the support board using the included M5 screws.</p>
<p><b>Step 1</b></p>  <p>Mount the shelf to the wall using the included M8 Screws.</p>	<p><b>Finished shelf</b></p> 



## Wall Shelf - Assembly Instructions

Models: CK8220 & CK8226

Parts List	Quantity	
Shelf with support board	2	
Wall shelf	1	
M5 Screws	4	
M8 Screws	4	

<p><b>Step 1</b></p>  <p>Position the support boards lying down, the correct distance apart.</p>	<p><b>Step 2</b></p>  <p>Attach the wall shelf using the included M5 screws.</p>
<p><b>Step 1</b></p>  <p>Mount the shelf to the wall using the included M8 Screws.</p>	<p><b>Finished shelf</b></p> 